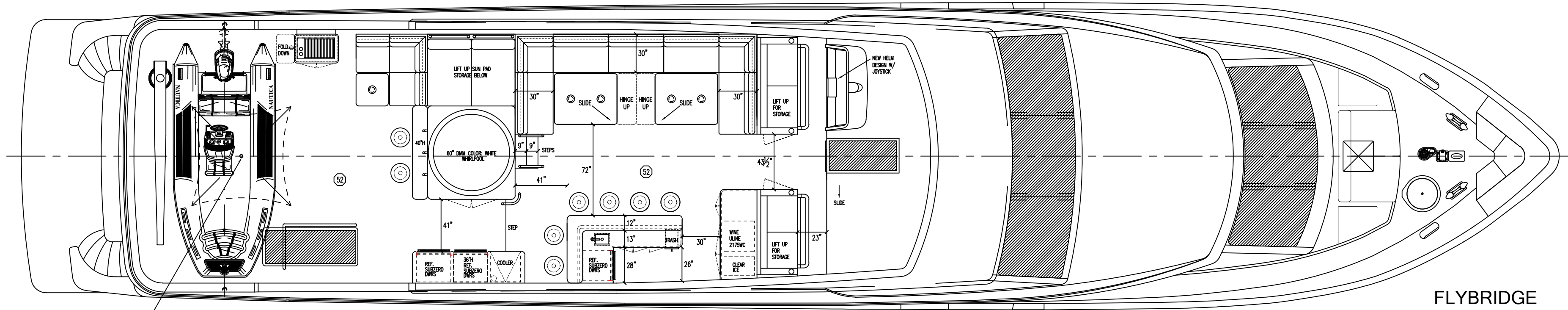
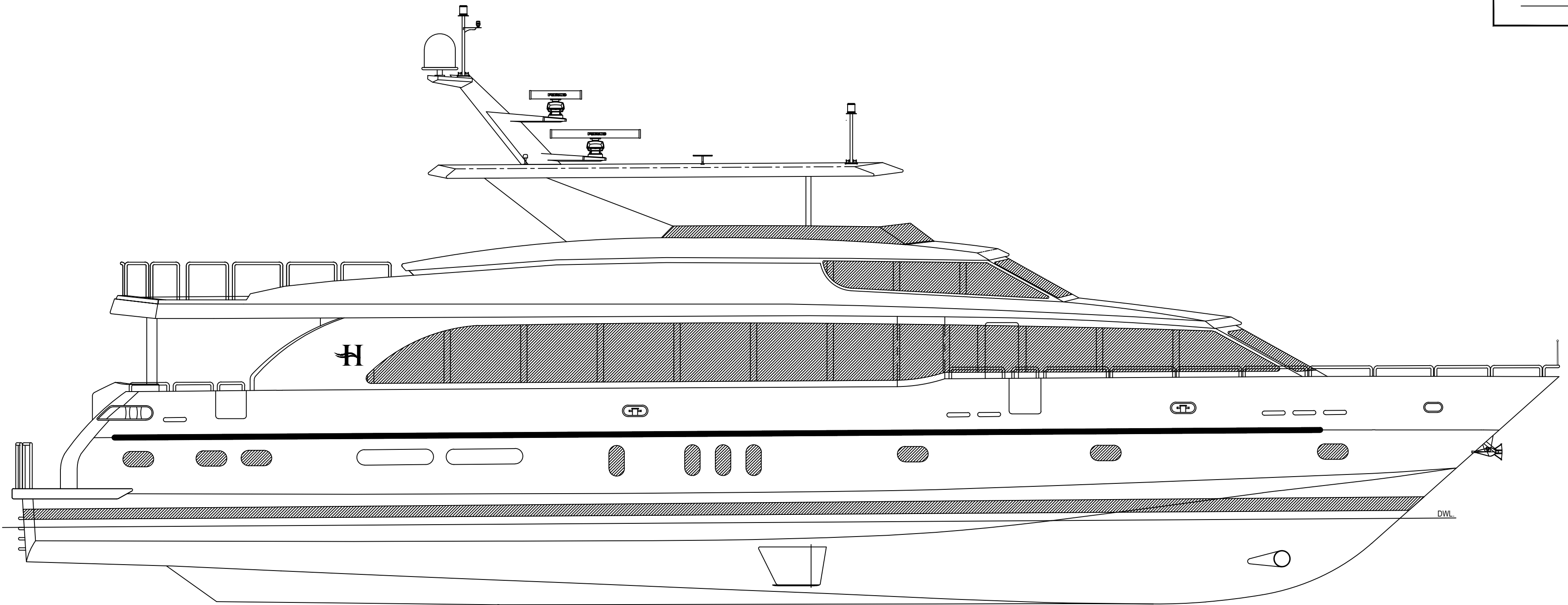
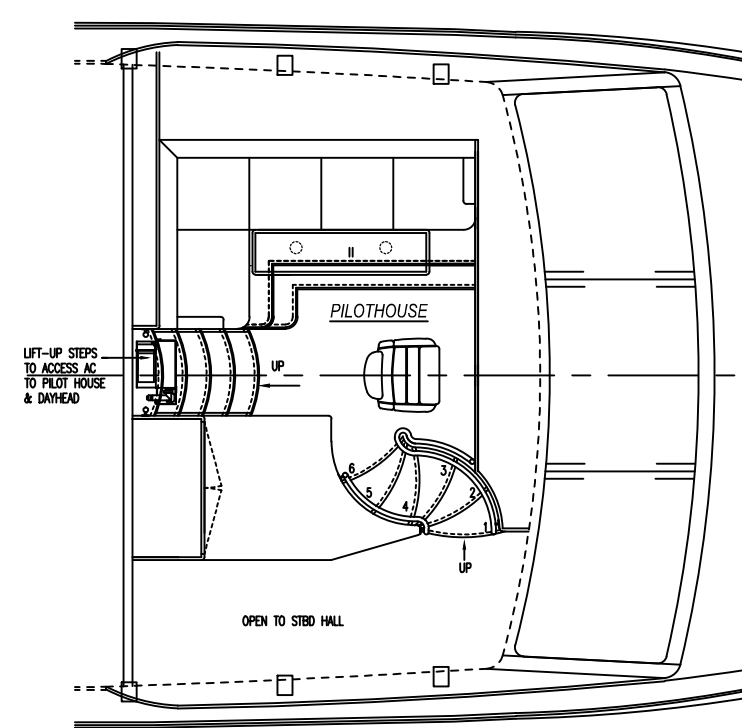


SHIPS PARTICULARS

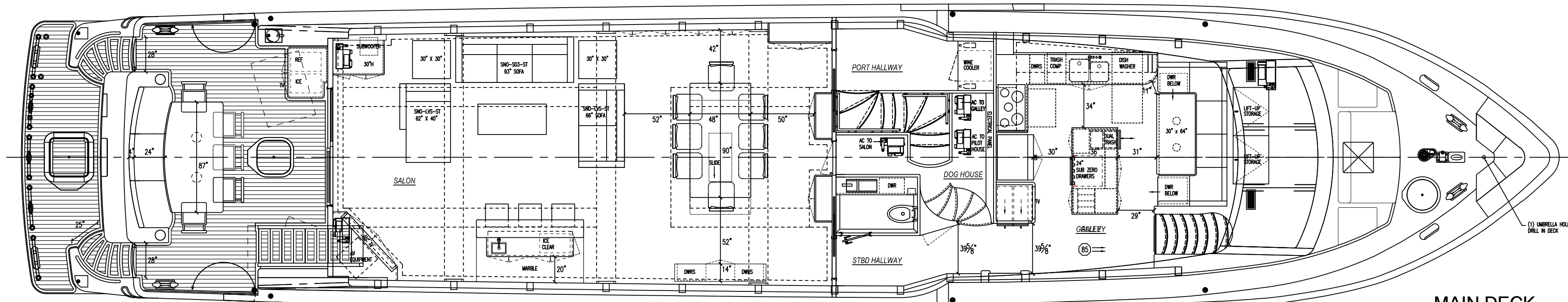
L.O.A.	101'-00"
L(R)	89'-11"
BEAM	20'-00"
DRAFT	05'-05"



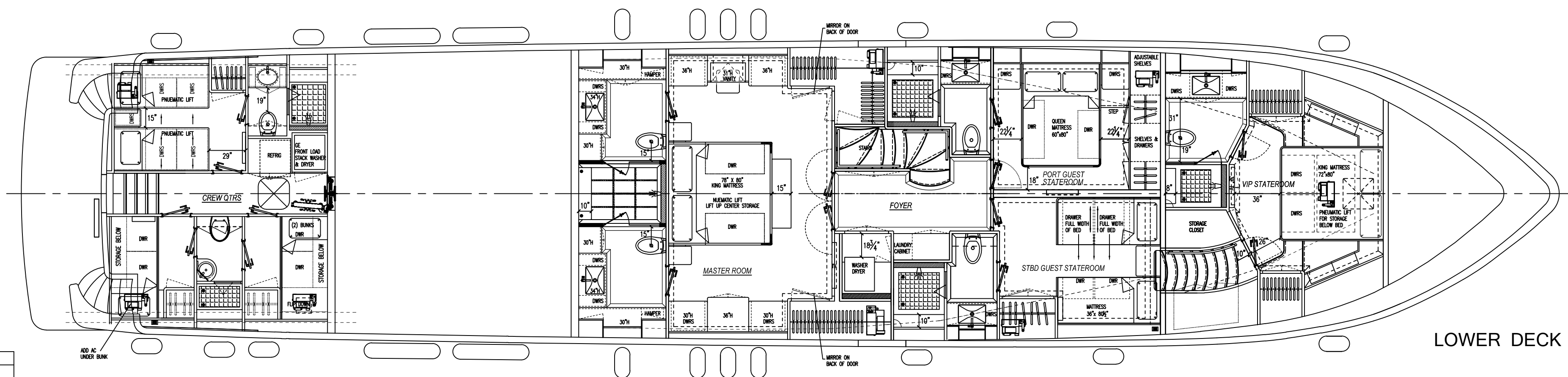
FLYBRIDGE



PILOTHOUSE



MAIN DECK



LOWER DECK

- Burrows
- Hargrave: H 101-677
- Drawing Schedule
- Profile and General Arrangements
- Main Salon (1 of 3)
- Main Salon (2 of 3)
- Main Salon (3 of 3)
- Galley (1 of 2)
- Galley (2 of 2)
- Dayhead
- Port 7' Stbd Hallways & Doghouse
- Pilothouse
- Aft Deck
- Bow
- Flybridge (1 of 2)
- Flybridge (2 of 2)
- Lower Foyer
- Master Stateroom
- Master Head
- Vip Stateroom
- Vip Stateroom Head
- Port Guest Stateroom
- Port Guest Head
- Starboard Guest Stateroom
- Starboard Guest Head
- Crew Companion Way
- Port Captain Stateroom
- Port Captain Head
- Fwd Crew Stateroom
- Aft Crew Stateroom
- Crew Head
- Lighting Arrangement (1 of 2)
- Lighting Arrangement (2 of 2)

<b>H 101-677 BURROWS</b>	
<b>101' HARGRAVE MOTORYACHT</b> GENERAL ARRANGEMENT	
<b>HARGRAVE</b> CUSTOM YACHTS	
1887 WEST STATE ROAD 84 FORT LAUDERDALE, FLORIDA 33315 TEL: (954) 463-0555 FAX: (954) 463-8621	
DESIGN NO: 101-677	COMPUTER FILE NAME: SRE770110 GENERAL ARRANGEMENT
DRAWN: DATE: 01.03.2017	DWG NO: REV DATE:
SCALE: 1/2"=1'-0"	REVISED BY: E.H.
THIS DRAWING, DESIGN CONCEPT AND SPECIFICATIONS ARE THE PROPERTY OF HARGRAVE CUSTOM YACHTS, AND ARE FURNISHED ON A CONFIDENTIAL BASIS WITH AN EXPRESSED UNDERSTANDING THAT THEY WILL NOT BE COPIED IN ANY MANNER, USED FOR MANUFACTURE, SOLD, TRANSFERRED, NOR USED TO THE DETRIMENT OF SAID FIRM WITHOUT WRITTEN PERMISSION.	

**H 101-677 FINAL SET**  
**05.02.2017**